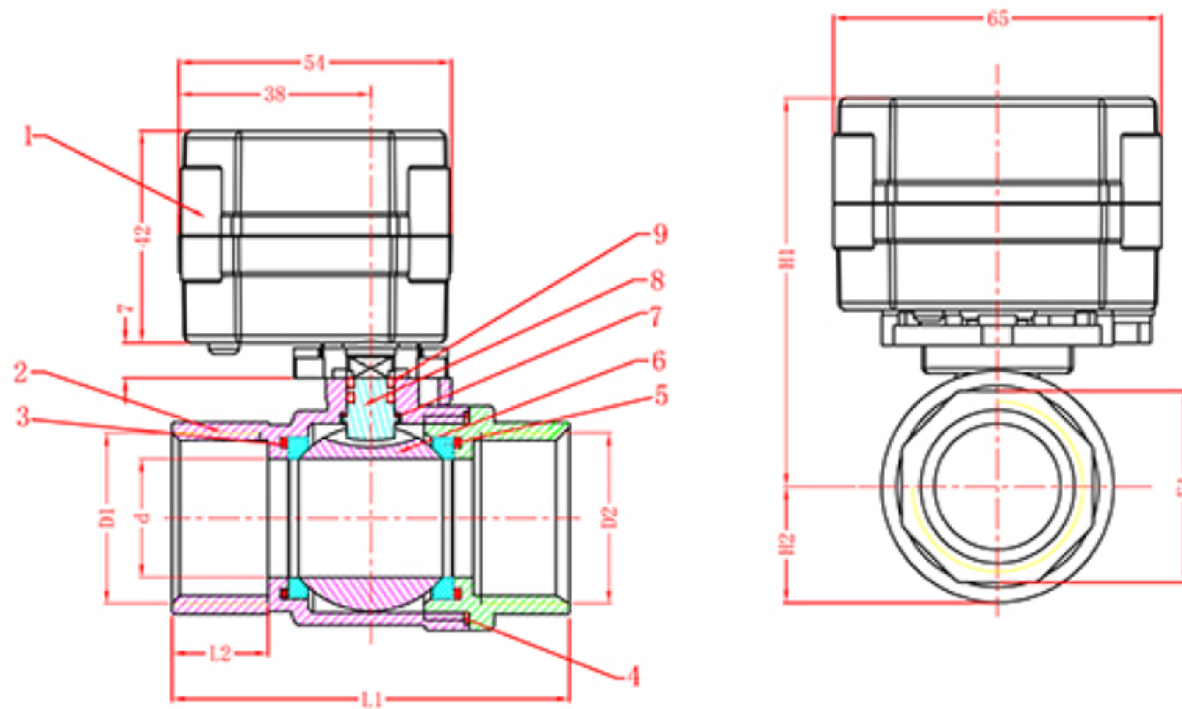


PART CODE :



No.	Name	Material	Specification	Quantity
9	O-ring	FKM		2
8	Stem	Stainless Steel	304	1
7	Gasket	PTFE		1
6	Ball	Stainless Steel	304	1
5	Sealing	PTFE		2
4	Sealing	PTFE		1
3	O-ring	FKM		2
2	Body Cover	Stainless Steel	304	1
1	Actuator	PPO		1

25-S2-A	1"	25	81	18	38	82	24.5
20-S2-A	3/4"	20	72	17	31	74	20
15-S2-A	1/2"	15	62	14	25	70	17
10-S2-A	3/8"	10	51	12	21	70	14
8 -S2-A	1/4"	8	51	12	21	70	14
Description		d	L1	L2	E1	H1	H2

MATERIAL		DRN & DATE	2019/10/29	TITLE	A20 Electric valve	MOOD. NO
QTY/SET		CHK & DATE				
FINISH		APPO & DATE				
TREATMENT		SCALE				
COLOUR						SHEET NO
UNIT	MM					ISSUE
				DRG NO/PDD REF NO		