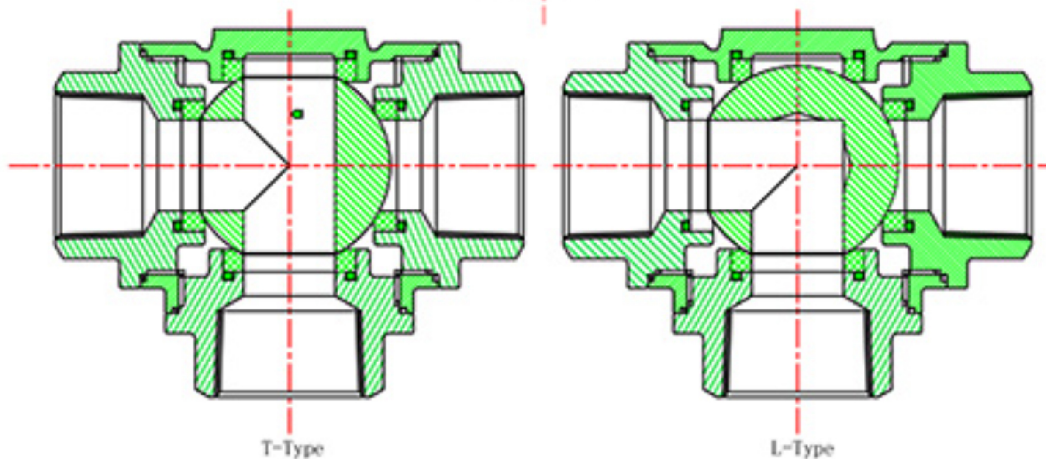
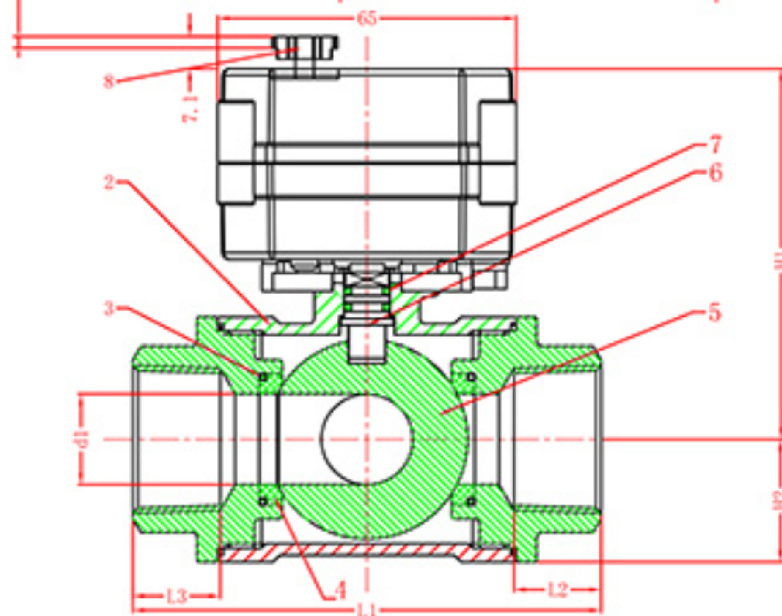
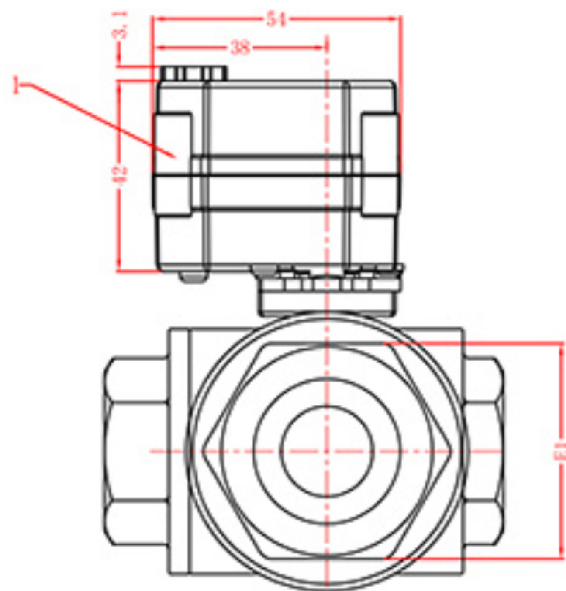


The handle knob position of manual operation



8	Manual Operation	POM		1	
7	O-ring	FKM		2	
6	Stem	Brass		1	
5	Ball	stainless steel	304	1	
4	Sealing	PTFE		4	
3	O-ring	FKM		4	
2	Body Cover	Brass		1	
1	Actuator	PPO		1	
No.	Name	Material	Specification		

25-B3-B	1"	18	85	17	38	78	22.5
20-B3-B	3/4"	15	75	16	31	76.5	20.5
15-B3-B	1/2"	12	70	16	27	72	17
10-B3-B	3/8"	6	51	11	20.2	66	11
8-B3-B	1/4"	6	51	11	20.2	66	11
Description	D1/D2	d1	L1	L2/L3	E1	H1	H2

MATERIAL		DRN & DATE	TITLE	MODEL NO
QTY/SET		CHK & DATE	A20 Electric valve	
FINISH		APPO & DATE		
TREATMENT				
COLOUR	IV	SCALE	DRG NO./POD REF NO	SHEET NO
				ISSUE